

SERIES 430

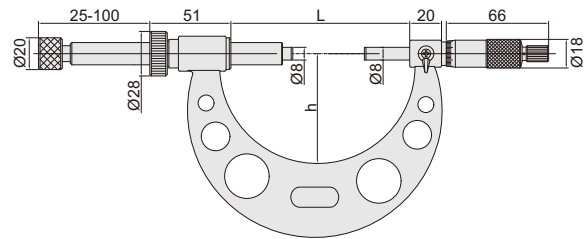
MICROMETER WITH DIAL INDICATOR



430-012-01

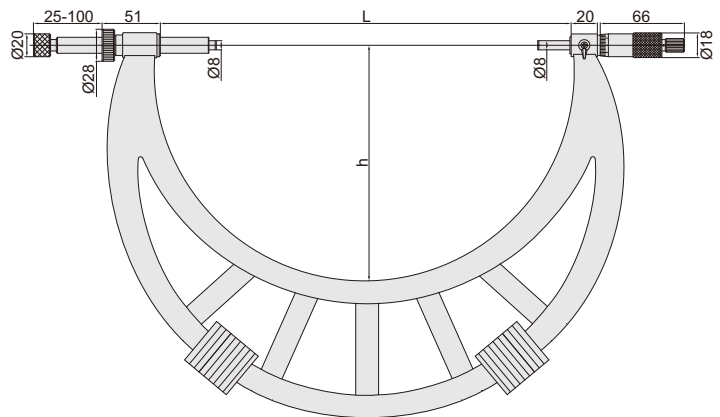
- ◆ Meet DIN863-3
- ◆ Graduation 0.01 mm
- ◆ Ratchet stop
- ◆ Carbide measuring faces
- ◆ Supplied with setting standards
- ◆ Optional accessory: dial indicators or digital indicators

unit: mm



Type A

Optional indicators (optional)



Type B

Code	Range	Type	Accuracy	L	h
430-004-01	0-100mm	A	6µm	115	68
430-008-01	100-200mm	A	7µm	215	120
430-012-01	200-300mm	A	8µm	315	170
430-016-01	300-400mm	B	9µm	415	225
430-020-01	400-500mm	B	10µm	515	275
430-024-01	500-600mm	B	11µm	615	325
430-028-01	600-700mm	B	12µm	715	375
430-032-01	700-800mm	B	13µm	815	430
430-036-01	800-900mm	B	14µm	915	480
430-040-01	900-1000mm	B	15µm	1015	530

Setting standards (included)

