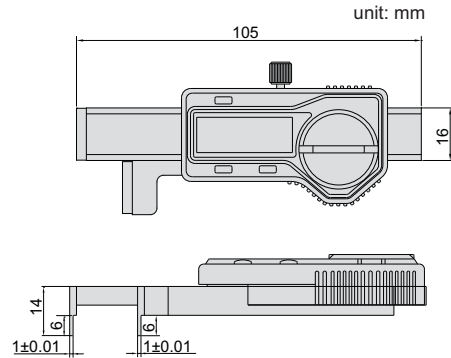
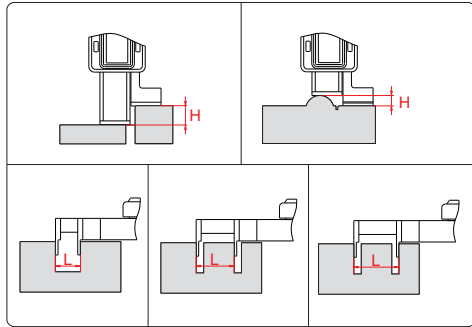




- ◆ Measure step height and gap width
- ◆ Resolution: 0.01mm/0.0005"
- ◆ Buttons: on/off, zero, mm/inch
- ◆ Automatic power on/off
- ◆ Data output(cable code :100-11 or 100-12)
- ◆ Made of stainless steel
- ◆ Supplied with zero setting block



zero setting block(included)



| Code       | Range           | Accuracy |
|------------|-----------------|----------|
| 437-001-11 | 0-12.7mm/0-0.5" | ±0.03mm  |