

SERIES 442

HIGH PRECISION DIGITAL THICKNESS GAUGE



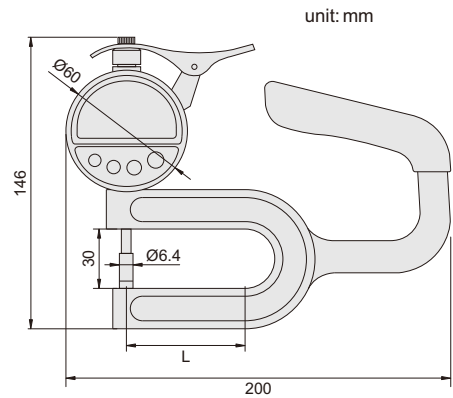
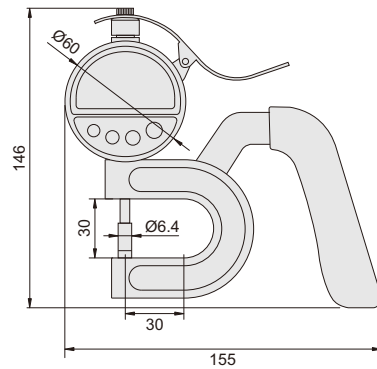
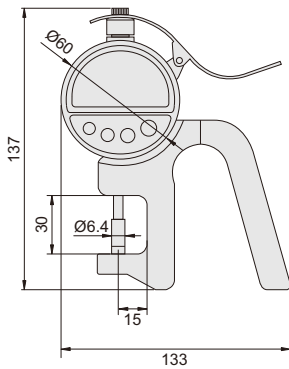
442-105-15



442-101-30



442-101-60



- ◆ Absolute encoder, the original data remains after power off
- ◆ Supplied with cable for communication
- ◆ Button: data output, on/off, zero, inch/mm conversion, measuring direction set, data preset absolute/incremental measurement, max./min./range measurement, tolerance set, hold
- ◆ Measuring force: 0.5-1N
- ◆ With analog reading
- ◆ Power: rechargeable battery, for 12 hours continuous working (full charge)

Included



Code	Range	Resolution	Accuracy	Repeatability	L
442-105-15	0-10mm/0-0.4"	0.0005mm/0.00002"	±0.0015mm	0.0005mm	-
442-101-15	0-10mm/0-0.4"	0.001mm/0.00005"	±0.002mm	0.001mm	-
442-101-30	0-10mm/0-0.4"	0.001mm/0.00005"	±0.002mm	0.001mm	-
442-101-60	0-10mm/0-0.4"	0.001mm/0.00005"	±0.003mm	0.001mm	60mm
442-101-00	0-10mm/0-0.4"	0.001mm/0.00005"	±0.004mm	0.001mm	100mm