

443

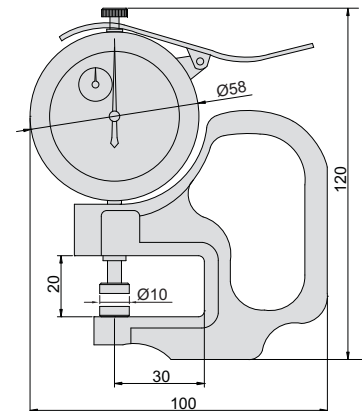
## THICKNESS GAUGE



- ◆ Ceramic spindle tip and anvil



unit: mm



AGGUD

Code	Range	Graduation	Accuracy
443-001-01	0-1mm	0.001mm	±0.005mm