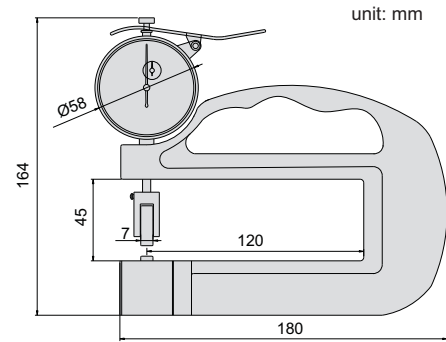


◆ For continuous measurement



Code	Range	Graduation	Accuracy
445-010-11	0-10mm	0.01mm	±0.02mm