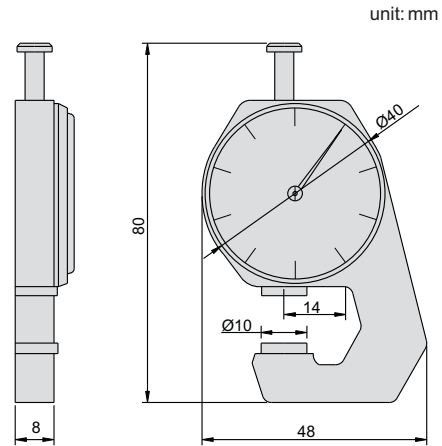


446**THICKNESS GAUGE**

Code	Range	Graduation	Accuracy
446-010-11	0-10mm	0.1mm	$\pm 0.05\text{mm}$

ACCUD