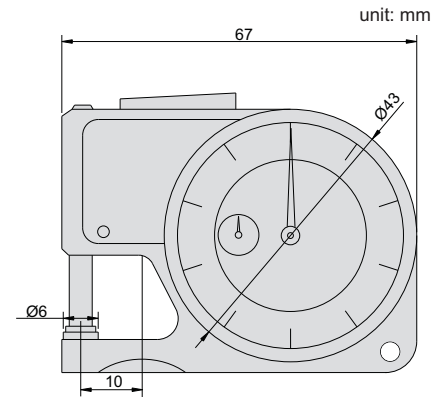
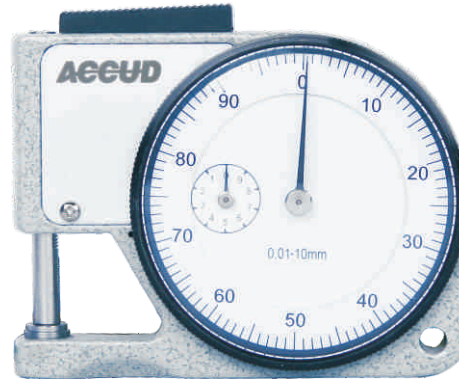


- ◆ Stainless steel spindle tip and anvil



Code	Range	Graduation	Accuracy
447-010-11	0-10mm	0.01mm	±0.02mm