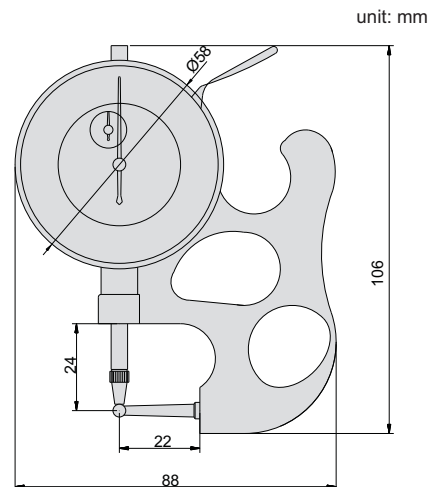
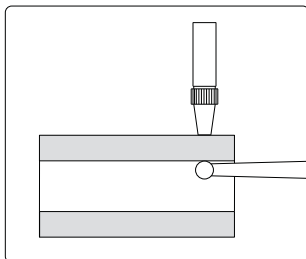


448

THICKNESS GAUGE



- ◆ Measure the wall thickness of tube



Code	Range	Accuracy	Graduation
448-010-11	0-10mm	±0.02mm	0.01mm