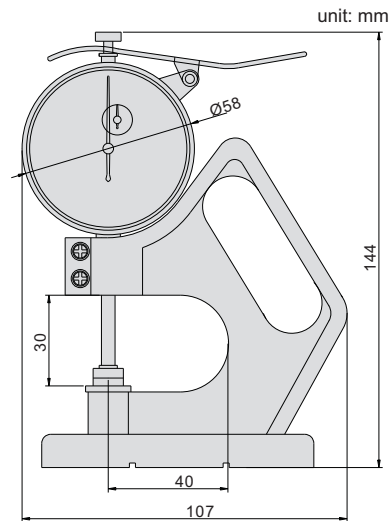


449

THICKNESS GAUGE

- ◆ Graduation: 0.01mm
- ◆ Ceramic anvil, diameter: $\varnothing 10\text{mm}$



| Code | Range | Accuracy |
|------------|--------|---------------------|
| 449-010-11 | 0-10mm | $\pm 0.02\text{mm}$ |