

## SERIES 465

## DIGITAL THICKNESS GAUGE WITH CONSTANT MEASURING FORCE

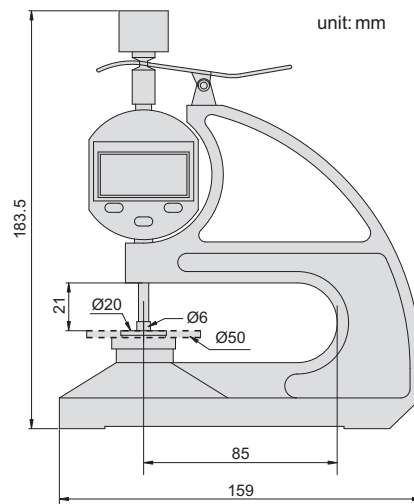


- ◆ Buttons: on/off, zero, unit (mm/in/fraction)
- ◆ Automatic power off
- ◆ With 50g standard weight block



465-010-01

Aluminum alloy stage



Code	Range	Resolution	Accuracy
465-010-01	0-12.7mm/0.5"	0.001mm/0.00005"	±0.005mm
465-010-11	0-12.7mm/0.5"	0.01mm/0.0005"	±0.02mm