

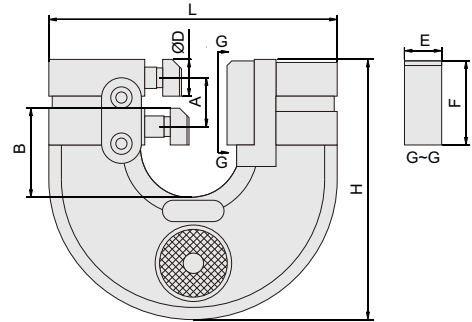
**SERIES 582**

**ADJUSTABLE SNAP GAUGE**

- ◆ Used as Go/No-Go gauge by setting upper and lower limits
- ◆ Flatness of anvil: 1.5µm
- ◆ Parallelism of measuring faces:  
range 0-32mm: 3µm  
range 32-89mm: 4µm  
range 89-300mm: 5µm



582-060-01



unit: mm

Code	Range	L	A	B	E	F	H	Ød
582-006-01	0-6mm	74	15	17.5	12.2	27.2	71.5	7
582-013-01	6-13mm	85	15	26	12.2	27.2	79.5	12.3
582-019-01	13-19mm	93	15	27	12.2	27.2	83	12.3
582-025-01	19-25mm	100	15	33.5	12.2	27.2	89.5	12.3
582-032-01	25-32mm	111	18	38.5	15.2	35.2	104	15.3
582-038-01	32-38mm	117	18	41.5	15.2	35.2	105	15.3
582-044-01	38-44mm	123	18	44.5	15.2	35.2	109	15.3
582-051-01	44-51mm	130	18	45	15.2	35.2	117	15.3
582-057-01	51-57mm	136	18	48	15.2	35.2	119	15.3
582-063-01	57-63mm	143	18	50	15.2	35.2	122	15.3
582-070-01	63-70mm	156	20	58	15.2	35.2	132	15.3
582-076-01	70-76mm	163	20	60.5	15.2	35.2	137	15.3
582-082-01	76-82mm	169	20	64.5	15.2	35.2	140	15.3
582-089-01	82-89mm	175	20	66.5	15.2	35.2	146	15.3
582-095-01	89-95mm	181	20	69.5	15.2	35.2	149	15.3
582-101-01	95-101mm	188	20	70	15.2	35.2	154	15.3
582-108-01	101-108mm	198	24	79	15.2	39.2	166	15.3
582-114-01	108-114mm	204	24	81	15.2	39.2	172	15.3
582-120-01	114-120mm	210	24	86	15.2	39.2	179	15.3
582-127-01	120-127mm	217	24	89.5	15.2	39.2	186	15.3
582-133-01	127-133mm	223	24	92.5	15.2	39.2	192	15.3
582-139-01	133-139mm	229	24	95.5	15.2	39.2	197	15.3
582-146-01	139-146mm	235	24	98.5	15.2	39.2	201	15.3
582-152-01	146-152mm	242	24	102	15.2	39.2	205	15.3
582-163-01	152-163mm	273	21.4	106.7	18.2	39.2	211	18.3
582-175-01	163-175mm	273	21.4	106.7	18.2	39.2	211	18.3
582-188-01	175-188mm	298.5	21.4	119.7	18.2	39.2	227	18.3
582-200-01	188-200mm	298.5	21.4	119.7	18.2	39.2	227	18.3
582-213-01	200-213mm	324	21.4	131.7	18.2	39.2	242	18.3
582-225-01	213-225mm	324	21.4	131.7	18.2	39.2	242	18.3
582-238-01	225-238mm	349.5	21.4	144.7	18.2	39.2	250	18.3
582-250-01	238-250mm	349.5	21.4	149	18.2	39.2	250	18.3
582-263-01	250-263mm	375.5	21.4	157.7	18.2	39.2	278	18.3
582-275-01	263-275mm	375.5	21.4	157.7	18.2	39.2	278	18.3
582-288-01	275-288mm	400	21.4	170.7	18.2	39.2	291	18.3
582-300-01	288-300mm	400	21.4	170.7	18.2	39.2	291	18.3