

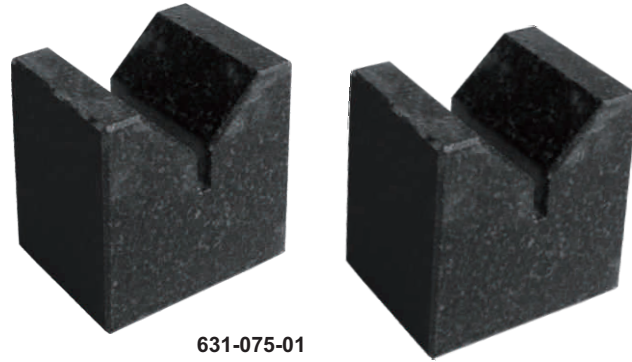
## SERIES 631

## GRANITE V-BLOCK SET

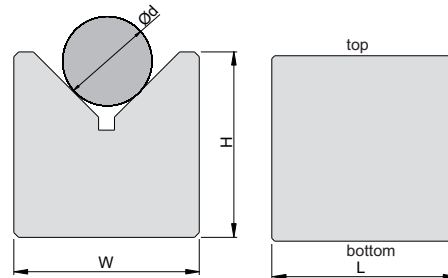
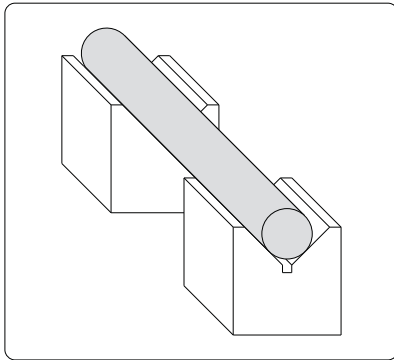


ACEUD

- ◆ Supplied a pair, for holding long cylindrical workpiece



631-075-01



Code	Size(LxWxH)	For shaft range( $\varnothing d$ )	Parallelism between top and bottom, left and right	Height difference between a pair
631-075-01	50x70x70mm	6 - 75mm	5 $\mu$ m	5 $\mu$ m
631-099-01	50x100x70mm	6 - 99mm	5 $\mu$ m	5 $\mu$ m

