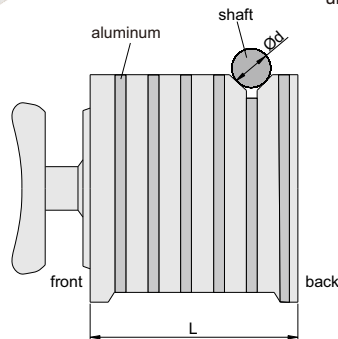
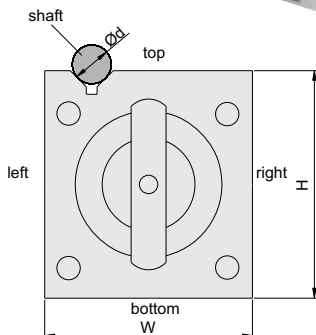




649-004-01

unit: mm



Code	Size(LxWxH)	Magnetic force		Range of shafts (Ød)	Parallelism or squareness between top, bottom, left, right and back sides	Parallelism or squareness of both V grooves to top, bottom, left, right and back sides
		V-groove	Surface			
649-004-01	100x100x100mm	25kgf	50kgf	6-36mm	10µm	10µm
649-006-01	150x150x150mm	50kgf	140kgf	6-44mm	15µm	15µm

PROTRACTOR