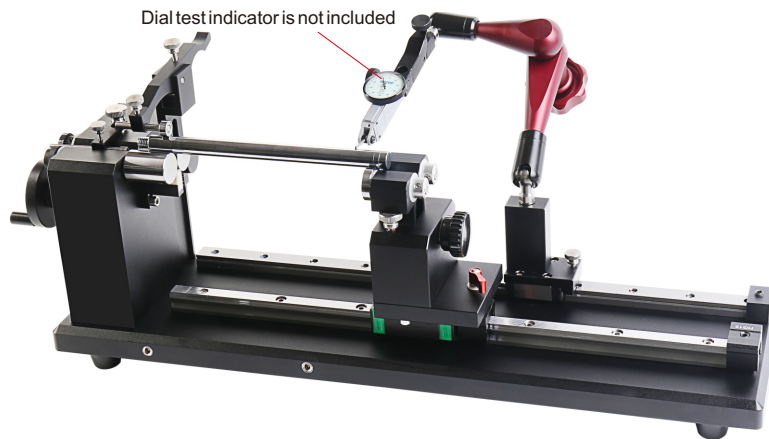
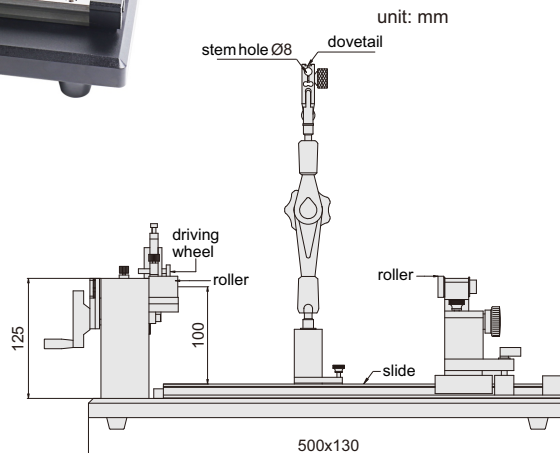


662

CONCENTRICITY GAUGE



- ◆ Double guide
- ◆ Holding height can be adjusted



Code	Applicable diameter	Workpiece length	Accuracy
662-300-01	Ø3-40mm	300mm	2µm