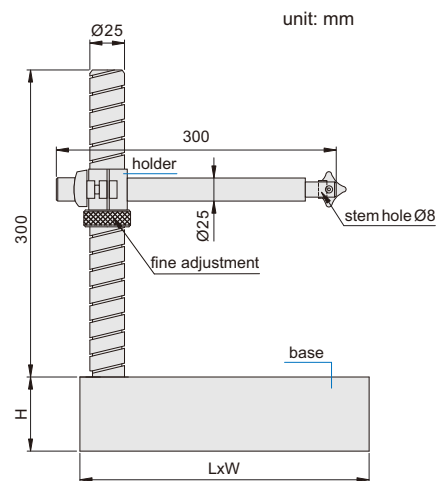
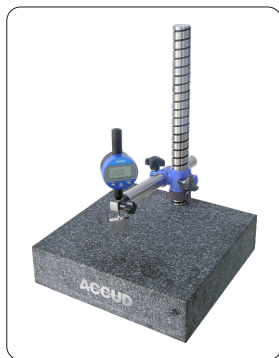


SERIES 675

GRANITE DIAL INDICATOR STAND

- ◆ Vertical travel of holder: 250mm
- ◆ Fine adjustment range: entire stroke

Application



Code	Stem hole	Base flatness	L	W	H
675-300-11	Ø8mm	2.8µm	300	300	75
675-400-11	Ø8mm	3µm	400	300	100