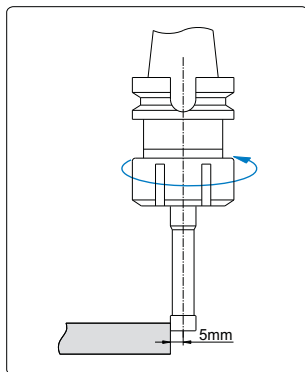


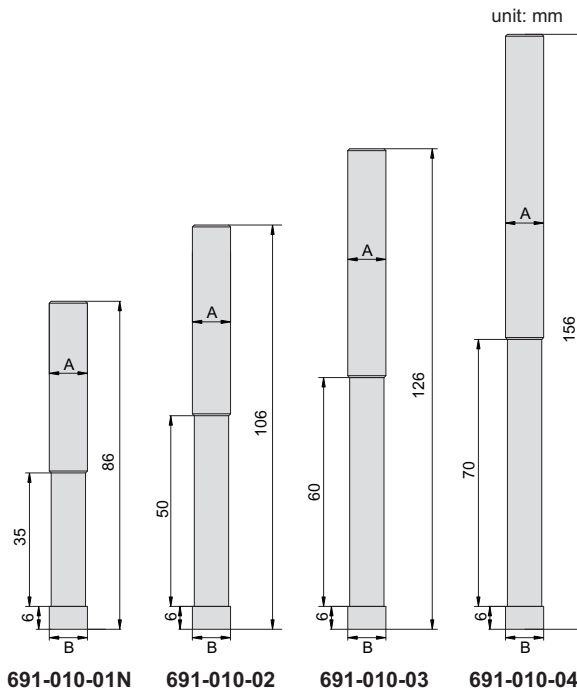
SERIES 691

CERAMIC EDGE FINDER

- ◆ Ceramic contact point, non magnetic
- ◆ Hardened shank
- ◆ Suitable for machine speed: 400-600rpm



691-010-01N



Code	Shank(A)	Contact point (B)	Accuracy
691-010-01N	Ø10mm	Ø10mm	5µm
691-010-02	Ø10mm	Ø10mm	5µm
691-010-03	Ø10mm	Ø10mm	5µm
691-010-04	Ø10mm	Ø10mm	5µm