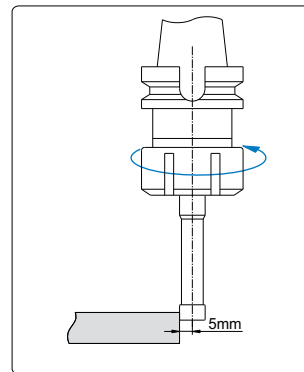
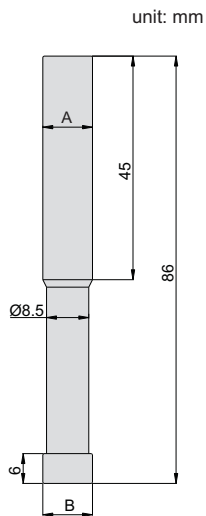


691

CERAMIC EDGE FINDER

- ◆ Ceramic contact point, non magnetic
- ◆ Suitable for machine speed: 400-600rpm



Code	Shank(A)	Contact point(B)	Accuracy
691-010-01	Ø10mm	Ø10mm	8µm