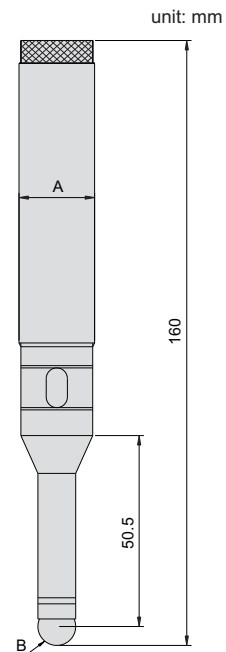
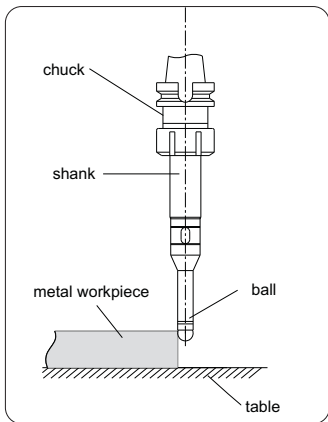


- ◆ The LED will be light when the ball contacts the workpiece
- ◆ Not suitable for rotating use



Code	Contact ball (B)	Shank(A)	Accuracy	Beeper
692-010-03	SØ10mm	Ø20mm	5µm	with