

## SERIES 711

## FRAME LEVEL

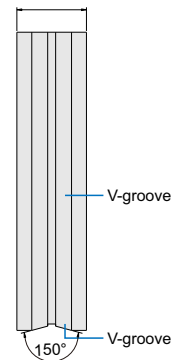
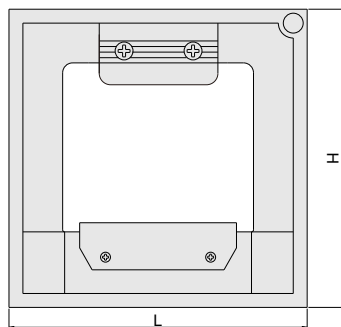
- ◆ For using setting machined surfaces precisely horizontal and vertical
- ◆ Sensibility: 0.02mm/m per division
- ◆ V-groove on the bottom and left for shafts



711-006-02D



unit: mm



| Code        | Size (LxHxW) |
|-------------|--------------|
| 711-006-02D | 150x150x38mm |
| 711-008-02D | 200x200x40mm |
| 711-010-02D | 250x250x42mm |
| 711-012-02D | 300x300x45mm |