

- ◆ For using setting machined surfaces precisely horizontal and vertical
- ◆ Sensibility: 0.02mm/m per division
- ◆ With two vee and two flat reference faces

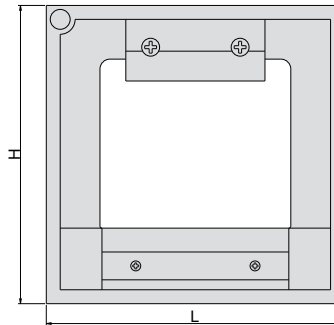


711-006-02



711-004-02

unit: mm



Code	Size (LxHxW)
711-004-02	100x100x32mm
711-006-02	150x150x35mm
711-008-02	200x200x42mm
711-012-02	300x300x42mm