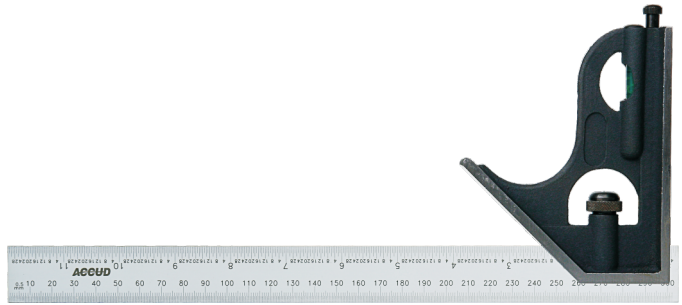


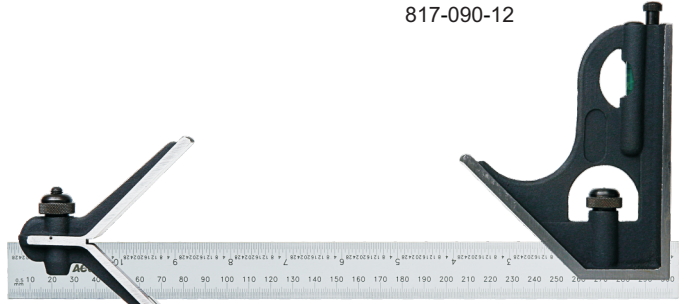
SERIES 817

COMBINATION SQUARE SET

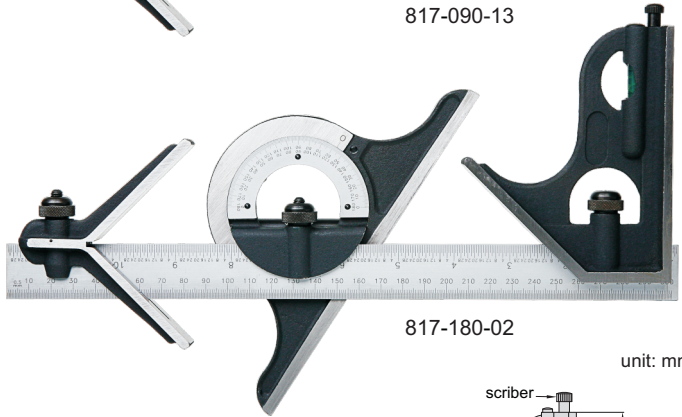
- ◆ Protractor (made of cast iron), only for **817-180-02**:
Used to set an angle or angle measurement,
measuring range: 0-180°, accuracy: ±20'
- ◆ Square (made of cast iron):
Used as 90° square or 45° square
accuracy of 90° square: ±8',
accuracy of 45° square: ±10'
- ◆ Blade (made of stainless steel):
Used as rule, measuring range: 300mm/12"
front side graduation: 0.5mm and 1/32"
reverse side graduation: 1mm and 1/64"
- ◆ Center finder (made of cast iron), only for **817-090-13**
and **817-180-02**:
To locate center of cylinders with diameter
(Ød): 30-100mm, accuracy: ±0.15mm



817-090-12

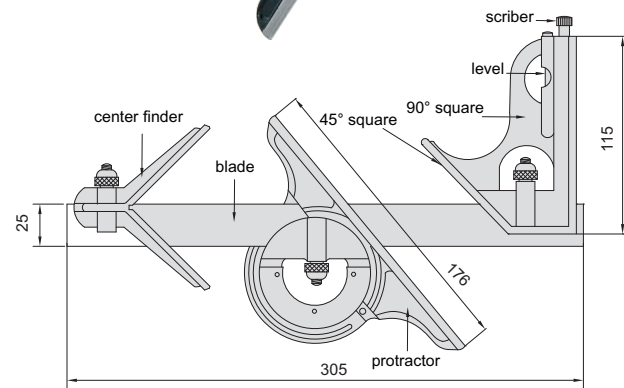
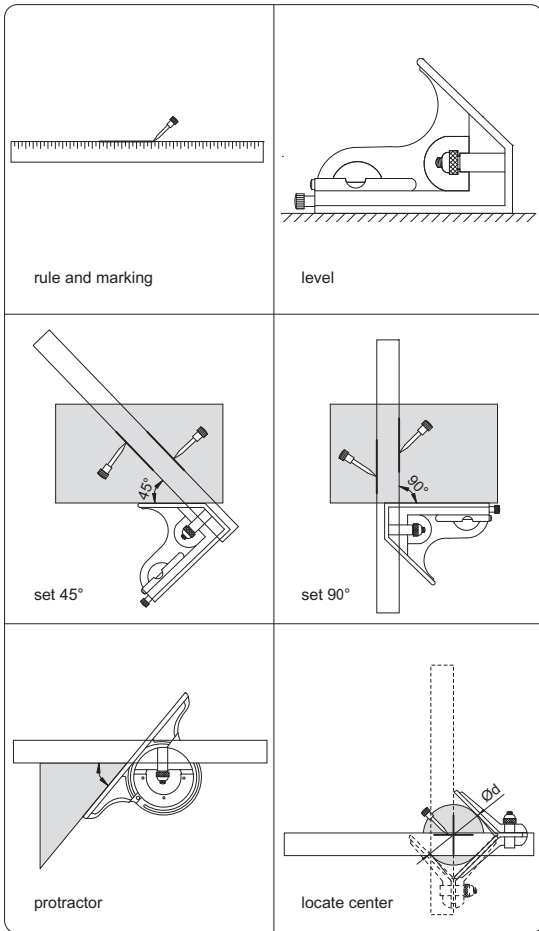


817-090-13

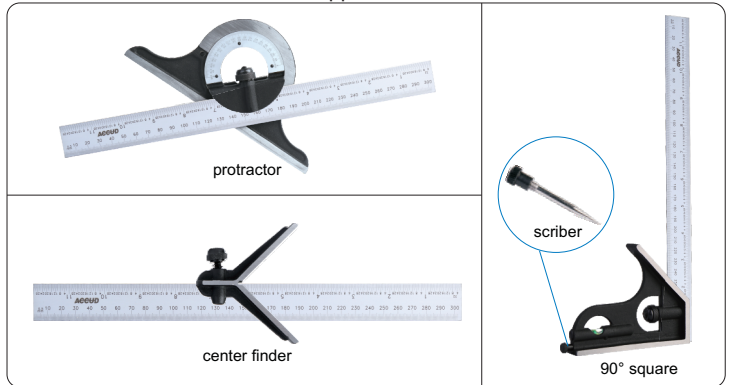


817-180-02

unit: mm



Application



Code	Remark
817-090-12	2-piece set
817-090-13	3-piece set
817-180-02	4-piece set

PROTRACTOR

* NEW
* NEW