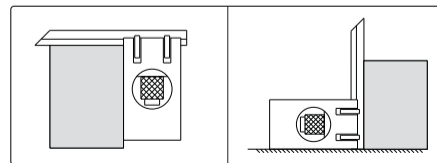
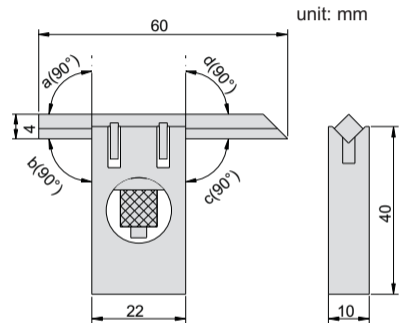


831**ADJUSTABLE SQUARE**

- ◆ The straight edge can move and can be locked by the screw
- ◆ Made of hardened stainless steel

**Code****831-002-10****Squareness (a, b, c, d)**7 μ m