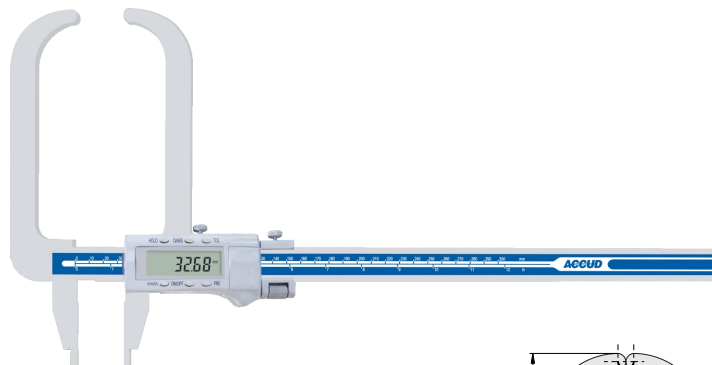
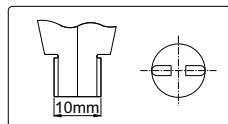


894

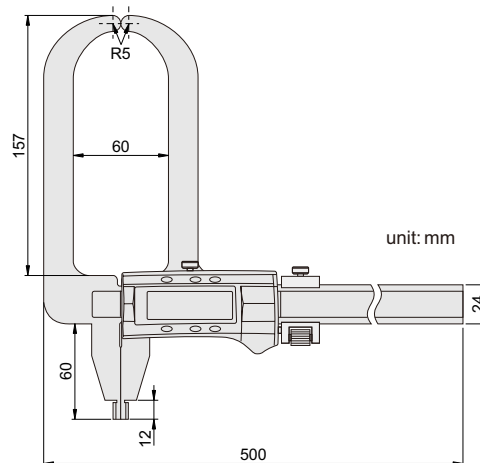
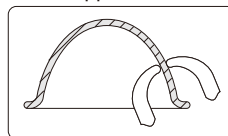
DIGITAL WALL THICKNESS CALIPER



- ◆ Measure wall thickness of helmets, domes and curved pots
- ◆ Resolution: 0.01mm/0.0005"
- ◆ Buttons: on/off/zero, mm/inch, HOLD, ABS, data preset, tolerance set
- ◆ Data output(cable code: 100-15)
- ◆ Made of stainless steel



Application



Code	Range	Accuracy
894-012-11	0-300mm/0-12"	±0.05mm