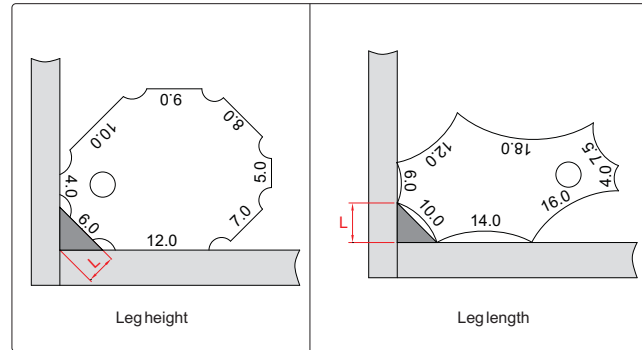
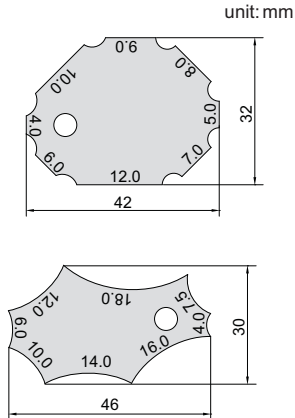


972

WELDING GAUGE

- ◆ Double printing in front and reverse side
- ◆ Made of the stainless steel



Code	Leg height	Leg length	Accuracy
972-012-01	4, 5, 6, 7, 8, 9, 10, 12mm	4, 6, 7.5, 10, 12, 14, 16, 18mm	±0.5mm