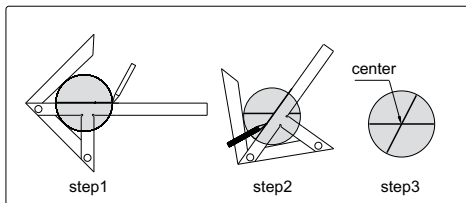


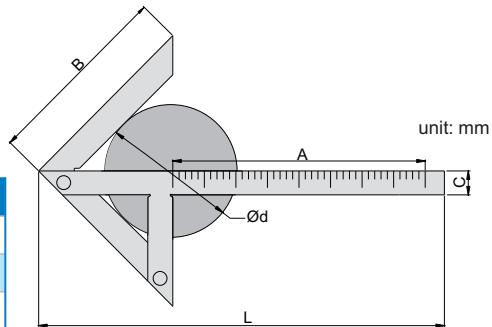
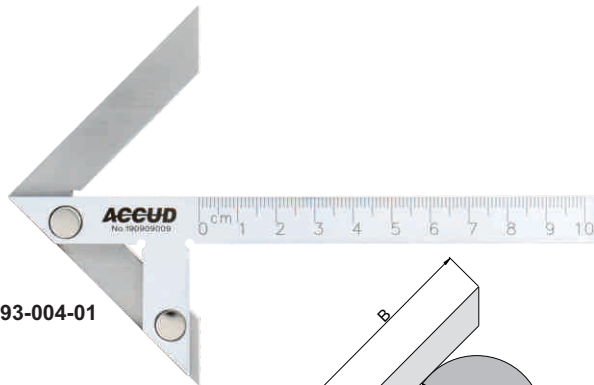
## SERIES 993

## CENTER MARKING GAUGE

- ◆ Find the center of round plates and shafts
- ◆ Made of stainless steel
- ◆ Stain chrome plated



993-004-01



Code	Size (AxB)	Diameter( $\varnothing d$ )	Accuracy	C	L
993-004-01	100x70mm	4 - 90mm	$\pm 0.15\text{mm}$	12	153
993-006-01	150x130mm	4 - 190mm	$\pm 0.15\text{mm}$	15	245
993-008-01	200x150mm	6 - 220mm	$\pm 0.15\text{mm}$	15	310

