

**SERIES 996**

**DIGITAL HORIZONTAL SCALE**



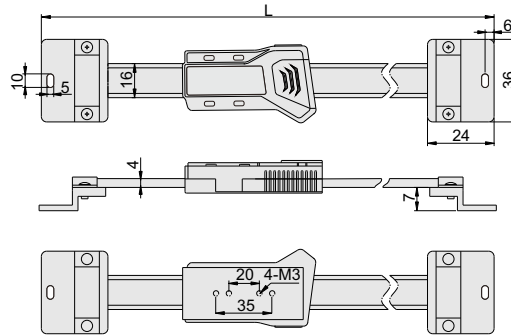
**Type A**

- ◆ Resolution: 0.01mm/0.0005"
- ◆ Buttons: on/off, zero, mm/inch
- ◆ Automatic power off
- ◆ Data output(cable code:100-03 or 100-04)
- ◆ Made of stainless steel
- ◆ Supplied with bracket
- ◆ Optional accessory: SPC cable



996-006-11

unit: mm



**Type A**

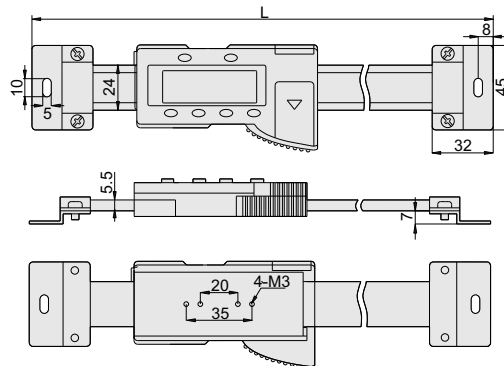
**Type B**

- ◆ Resolution: 0.01mm/0.0005"
- ◆ Absolute and incremental measurement
- ◆ Data output
- ◆ Made of stainless steel
- ◆ Supplied with bracket



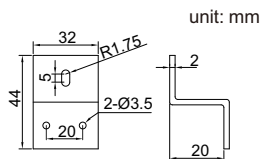
996-020-11

unit: mm



**Type B**

bracket(included)



unit: mm

SIMPLE MEASURING TOOL

Code	Range	Accuracy	Type	L
996-004-11	100mm	±0.03mm	A	209mm
996-006-11	150mm	±0.03mm	A	259mm
996-008-11	200mm	±0.03mm	A	310mm
996-012-11	300mm	±0.04mm	A	444mm
996-020-11	500mm	±0.05mm	B	682mm
996-024-11	600mm	±0.08mm	B	790mm
996-032-11	800mm	±0.10mm	B	990mm
996-040-11	1000mm	±0.10mm	B	1240mm