

SERIES TTB

DIGITAL TORQUE METER

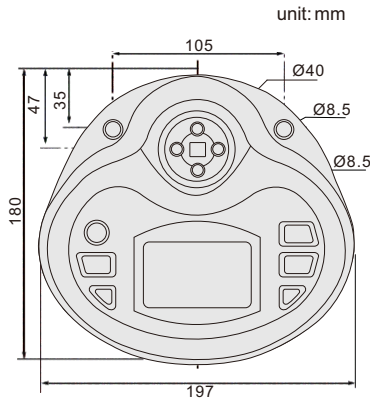


- ◆ For torque wrench and torque screwdriver calibration
- ◆ Peak, preset and real-time working mode
- ◆ Unit: N.m, N.cm, kgf.cm, lbf.cm, lbf.in
- ◆ Memory: 1000
- ◆ Power off automatically
- ◆ With software, can show the torque graph



TTB10

run down adapter for torque meter (optional)



TTB50

Stand (optional)



SPECIFICATION

*** NEW**

Code	TTB5	TTB10	TTB50	TTB100	TTB500	TTB1000
Range	0.25-5N.m	0.5-10N.m	2.5-50N.m	5-100N.m	25-500N.m	100-1000N.m
Accuracy	±0.3%					
Resolution	0.0005N.m	0.001N.m	0.005N.m	0.01N.m	0.05N.m	0.1N.m
Size of square drive	1/2"				3/4"	1"
Output	USB and RS232					
Power	rechargeable battery					
Weight	1.5kg				3kg	

INCLUDED ACCESSORIES

Main unit	1pc
Charger	1pc
Software with cable	1pc
Convertor (TTB500 and TTB1000 doesn't include)	1pc

OPTIONAL ACCESSORIES

Wireless printer	PR100	RUN DOWN ADAPTER FOR TORQUE METER(2N.m)	TTB-RDF2
Stand(Arm length:150-600mm)	TTB-ST1	RUN DOWN ADAPTER FOR TORQUE METER(6N.m)	TTB-RDF6
Stand(Arm length:150-1000mm)	TTB-ST2	RUN DOWN ADAPTER FOR TORQUE METER(40N.m)	TTB-RDF40
Stand(Arm length:150-1500mm)	TTB-ST4	RUN DOWN ADAPTER FOR TORQUE METER(100N.m)	TTB-RDF100