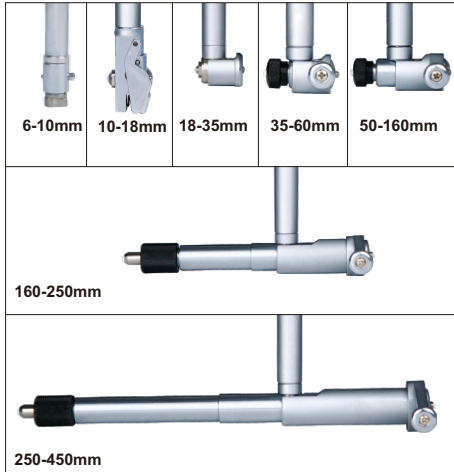


SERIES 241

DIGITAL PRECISION BORE GAUGE



- ◆ With min. value tracking function, get the diameter automatically
- ◆ Optional accessory: series 531 setting rings



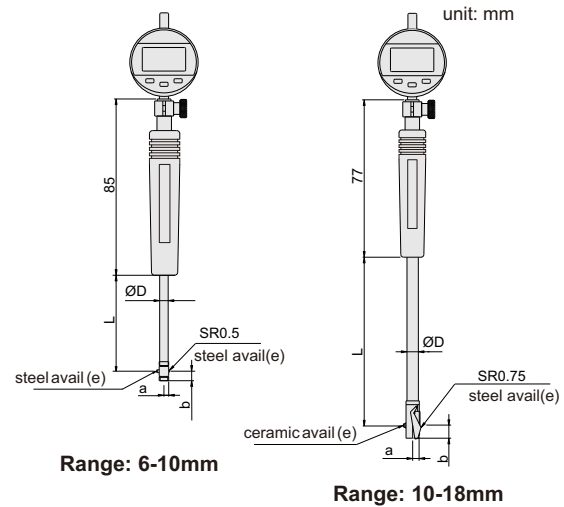
Bore gauge setter for setting zero (optional)

Setting ring (optional)

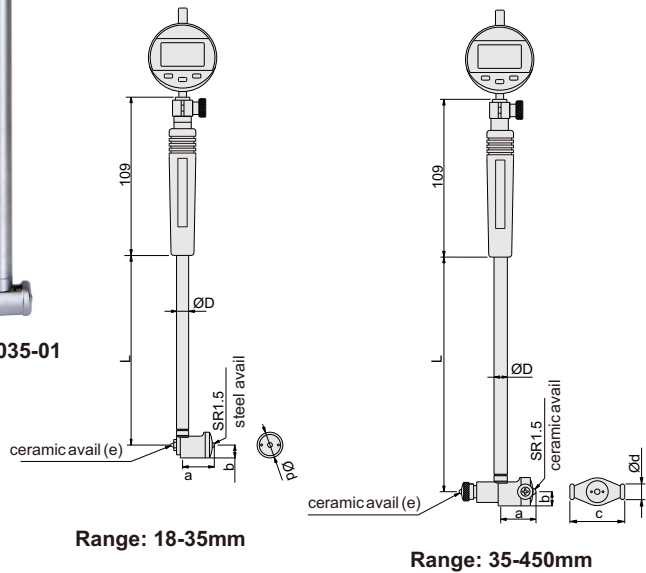


Measuring tips (included)

Gasket (included)



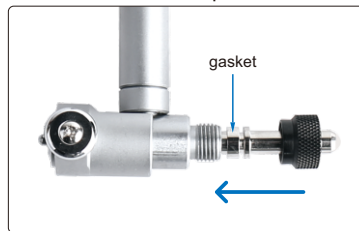
241-035-01



Range: 18-35mm

Range: 35-450mm

Install tips



Code	Range	Digital indicator	Tips	Gasket	Accuracy	Repeatability	a	b	c	Ød	ØD	e	L
241-010-01	6-10mm	Range: 12.7mm resolution: 0.001mm	9pcs	2pcs	±0.005mm	2µm	3.6	5.7	/	/	4.5	SR1	48
241-018-01	10-18mm		9pcs	2pcs	±0.005mm	2µm	5.6	7.8	/	/	6	SR1	105
241-035-01	18-35mm		9pcs	2pcs	±0.006mm	2µm	12.2	6.4	/	12.7	9	SR1	141
241-060-01	35-60mm		6pcs	4pcs	±0.007mm	2µm	26	9	27	13	12.8	SR2	141
241-100-01	50-100mm		11pcs	4pcs	±0.007mm	2µm	26	9	35	13	12.8	SR2	141
241-160-01	50-160mm		12pcs	4pcs	±0.007mm	2µm	26	9	35	13	12.8	SR2	141
241-160-02	100-160mm		12pcs	4pcs	±0.007mm	2µm	26	9	35	13	12.8	SR2	141
241-250-01	160-250mm		5pcs	5pcs	±0.007mm	2µm	56.5	13	74.5	15	14.5	SR3.5	400
241-450-01	250-450mm		5pcs	5pcs	±0.007mm	2µm	86.5	15	101.5	15	14.5	SR3.5	400